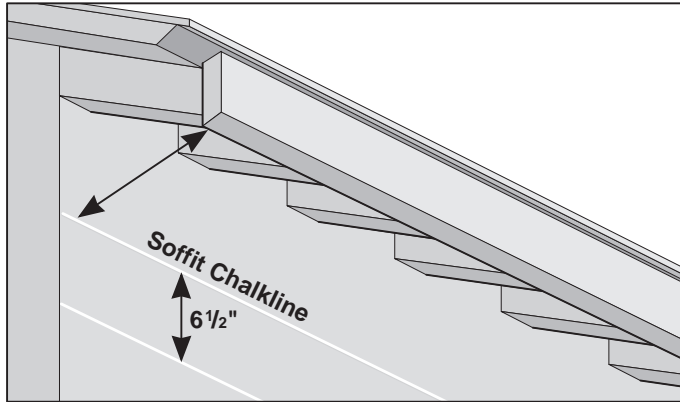


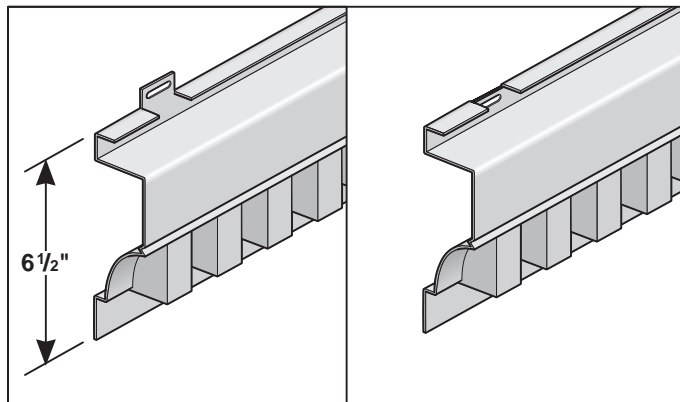
# FRIEZE, RAKE AND BAND BOARDS

## Dentil Molding

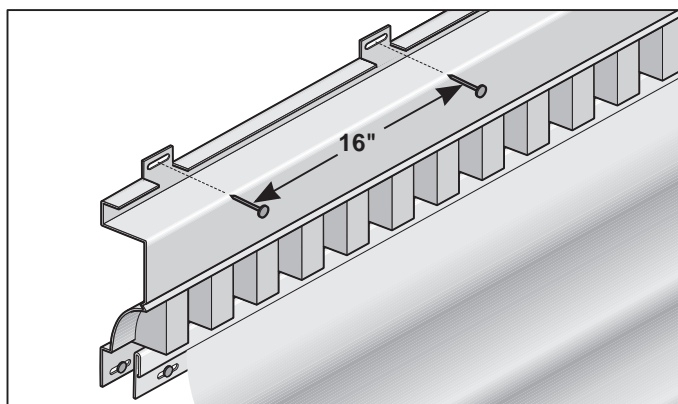


### Standard Installation

- Snap a chalk line 6-1/2" down from the soffit panel location (chalkline.)



- Prepare the dentil molding either by cutting the soffit flange to create a tab, or by removing a portion of the upper soffit flange and slotting. Center of slots should be spaced 16" apart.

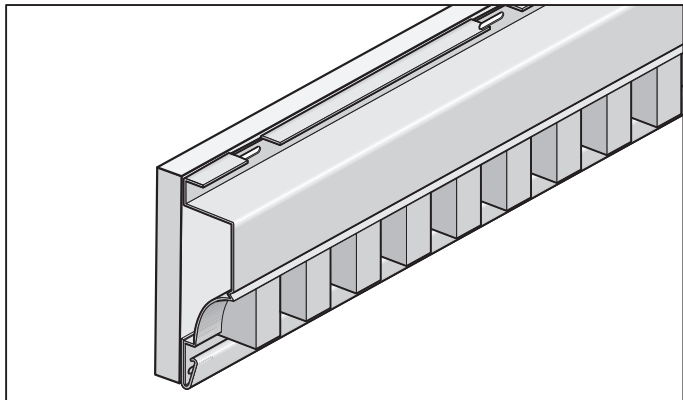


- Butt the dentil molding to the chalk line and nail into place every 16".
- If siding panels are to be terminated with finish trim to complete sidewall application, dentil mold should be slotted and nailed prior to final course of siding. Cover slots with finish trim.

*continued on next page*

# FRIEZE, RAKE AND BAND BOARDS

## Dentil Molding *continued*

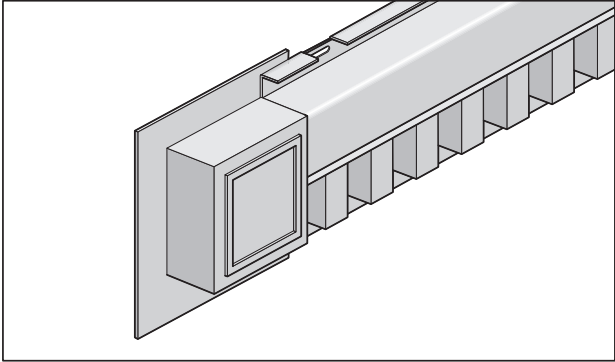


### **Brick, Stucco or Masonry** **Installation**

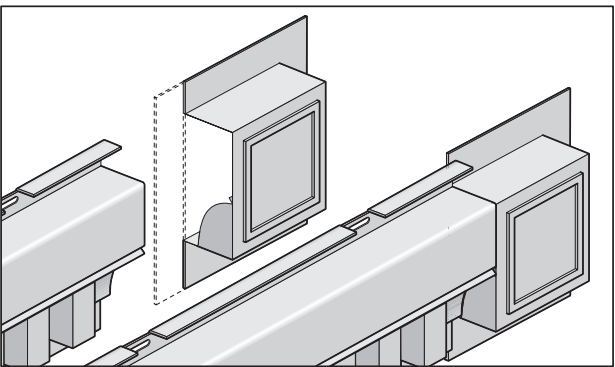
- If a nailable, flat surface is not available, dentil mold can be applied as a decorative element by placing bottom edge of dentil mold into finish trim and nailing tabs to a 1"x6" or 1"x8" board.

# FRIEZE, RAKE AND BAND BOARDS

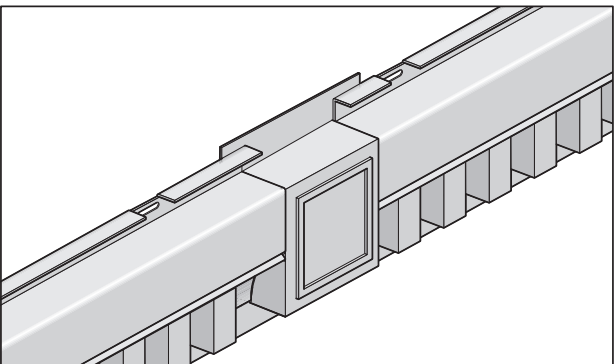
## Dentil Blocks



- Dentil blocks finish dentil molding and can be installed at the ends, center, corners or the outside.



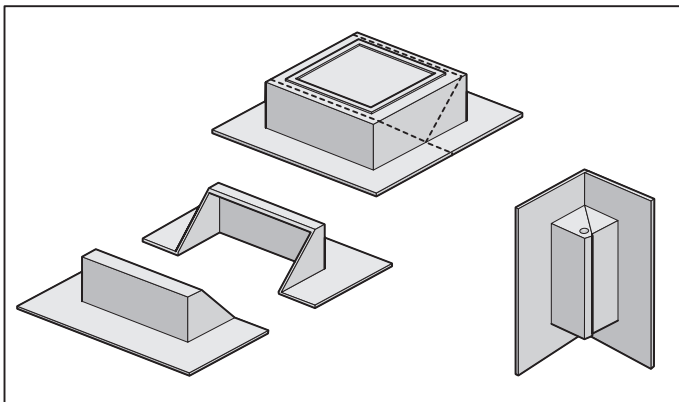
- To install at ends, position the dentil-molding flange behind the soffit flange and trim as indicated in the illustration. (An option to installing at the end position is to scribe a line onto the dentil block, remove that portion and then position the dentil block at the end of the dentil molding.)



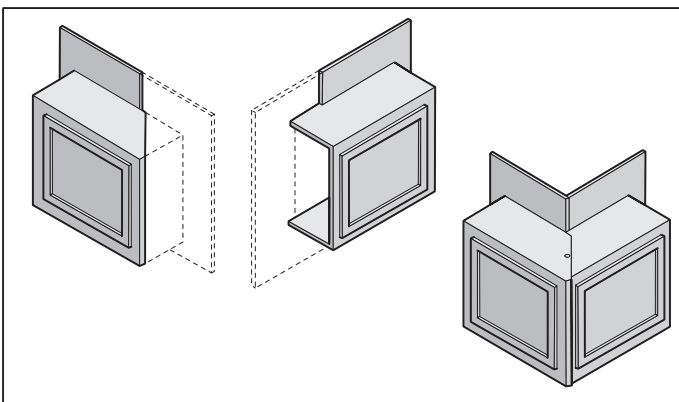
- To install at the center, position the end block at the center of the opening and then butt the dentil molding ends into the end of the block.

# FRIEZE, RAKE AND BAND BOARDS

## Dentil Blocks *continued*



- To install inside corners, cut and remove sections as shown in the illustration. Once removed, pop rivet the two pieces together and then fasten it to the wall.



- To install outside corners, cut and remove sections as shown. Once removed, pop rivet the two pieces together and then fasten it to the wall.