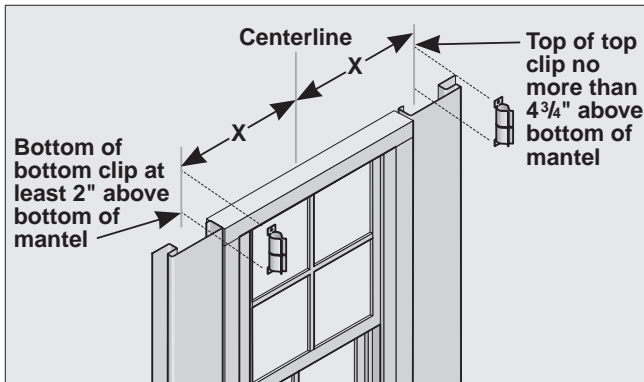


WINDOW AND DOOR TRIM

Window Mantels

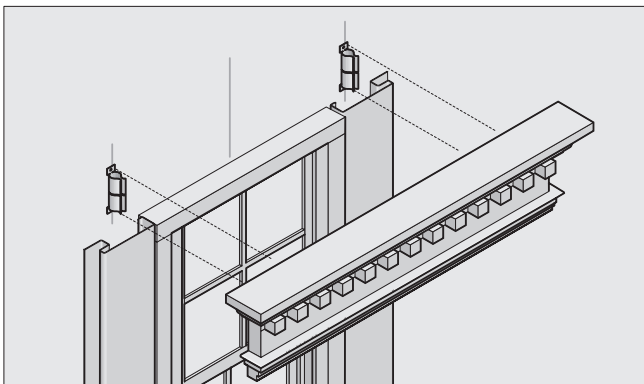
Mantels must be installed directly to a solid wood surface. If vinyl siding is to then be applied, panels will have to be cut to fit around the end caps. Mantels can also be installed in remodeling applications over vinyl siding.



Mantel Length	Measurement
36"	16-5/8"
40"	18-5/8"
44"	20-5/8"

Standard Length Mantels

- Locate the centerline of where the mantel will be installed.
- Measure to each side of the centerline as specified for each length mantel (see chart at left).
- Scribe a vertical line approximately 6".
- Install 2 mounting clips to each line with the bottom of each clip at least 2" above the bottom of the mantel, and the top of the other clip no higher than 4-3/4" above the bottom of the mantel.
- Position the mantel above the clips and snap into place.

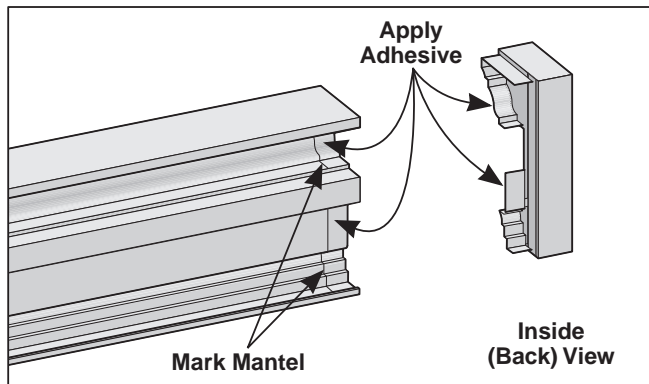


NOTE: When applying clips over beveled siding, you will have to shim and/or bend the top of the clips to keep the clip throats the same distance from the wall.

continued on next page

WINDOW AND DOOR TRIM

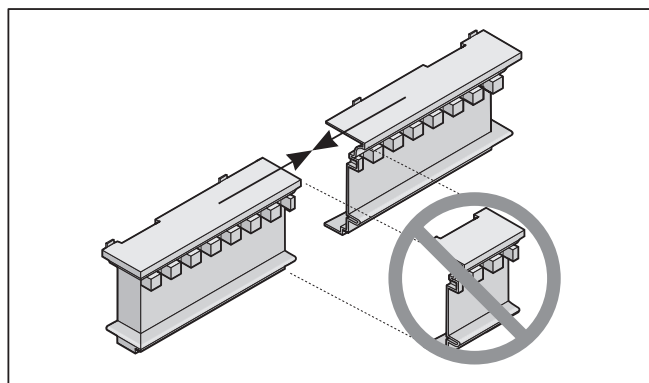
Window Mantels *continued*



To Install End Caps

(For non-standard window sizes.)

- Cut the window mantel to the required length minus 3/8". **NOTE:** The cut on a mantel with dentil blocks must be 1/8" to the right (facing the mantel) of a full dentil block.
- Clean any shavings or grit from the cut end(s).
- Insert the end cap into the mantel and mark the mantel on the inside.
- Remove the end cap and spread adhesive on both the lip of the end cap and the end of the mantel where marked.
- Insert the end cap into the mantel and clamp each side.
- Allow 10 minutes for drying and then install the mantel into place as described above.



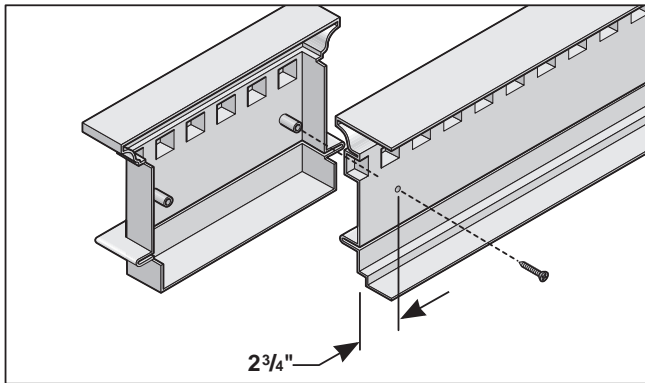
To Shorten a Mantel:

- Determine length and make two cuts to remove excess material from the center of the mantel. Be sure to cut through the center of the dentil blocks.
- Turn the mantel sections face down.
- Drill a 3/16" hole in the second indented hole marker 2-3/4" from the cut edge of both mantel sections.

continued on next page

WINDOW AND DOOR TRIM

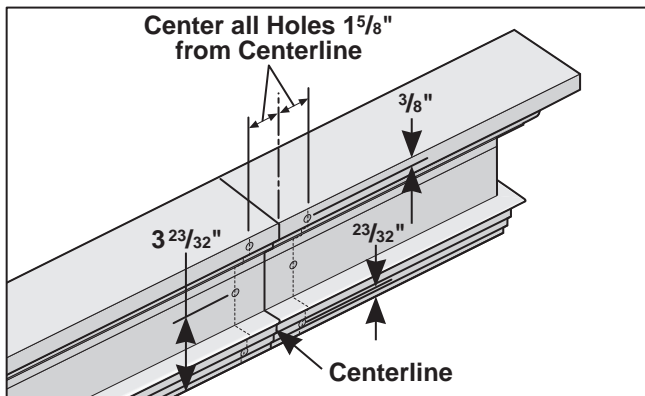
Window Mantels *continued*



To Shorten a Mantel: *continued*

- Place mantel overlay face down under the cut and drilled mantel sections. The mantel overlay screw bosses will align with the 3/16" drilled clearance holes.
- Fasten together with #8x1/2" self-tapping screws.

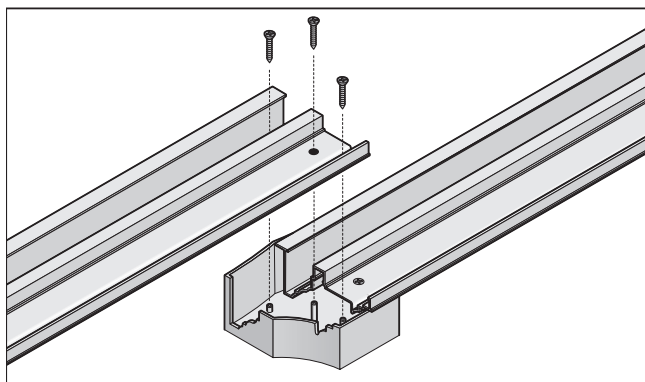
NOTE: Mantel overlay can be purely decorative, or can be used to modify mantel length to fit special size entrances.



To Install a Keystone

(for larger openings)

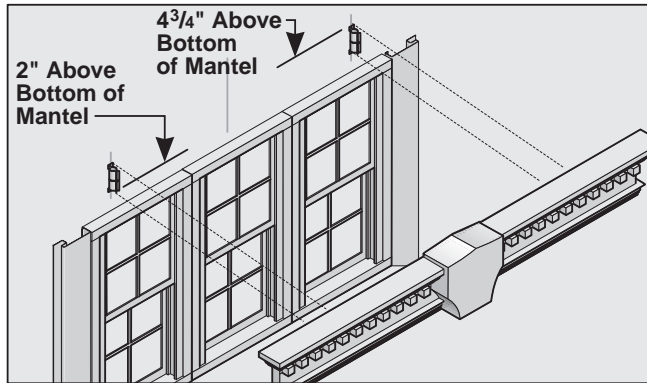
- Determine the length of mantel necessary.
- Using this measurement, cut two equal pieces of the mantel (each will be one-half the length of the required total length).
- Clean the cut ends.
- Drill three holes 3/16" in diameter into each mantel piece spacing holes 1 5/8" from the centerline (along the cut ends of the mantels).
- Place keystone face down on clean work area. Insert one mantel section into keystone and align drilled holes with molded screw bosses in keystone and fasten with three screws.
- Insert and fasten second mantel section with three screws.



continued next page

WINDOW AND DOOR TRIM

Window Mantels *continued*



To Install a Keystone *continued*

(for larger openings)

- Install clips to wall. You must determine the distance to place clips from the center of modified mantel.
- To stabilize the mantel system, it is recommended that a piece of fitted plywood be screwed into the back of the mantel system behind the keystone.
- Install mantel as described in Standard Mantel installation.

NOTE: *If placing mantel keystone over dentil blocks, you may need to cut away a thin section on both sides of mantel to accommodate keystone over dentil blocks.*